

Xerox® DocuMate™ 3125

A smart and compact scanner that fits your desk perfectly

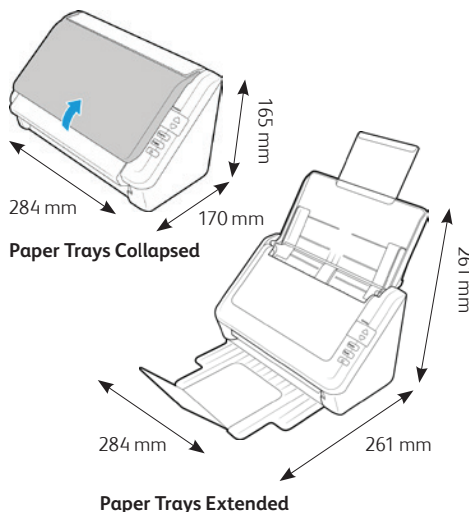
- Scans plastic cards through the DADF
 - One touch scanning to multiple destinations
 - Image enhancement tools
 - Create searchable PDF files to make it easy to find scanned documents
 - Ultrasonic double feed detection
 - 25 ppm and 44 ipm in duplex*
- * 200 & 300 dpi, b&w, gray & colour



Be More Productive

The Xerox® DocuMate™ 3125 colour sheet-fed scanner quickly converts your documents, plastic cards and forms into digital files. The transparent interface makes the process of saving content onto your computer devices and cloud storages simple and efficient. The device is capable of scanning up to 44 images per minute (ipm) in duplex setting and includes an outstanding 50-page Duplex Automatic Document Feeder (DADF) that handles everything from business cards to A4/letter size documents. The Xerox® DocuMate™ 3125 is conveniently compact occupying only minimal space on any desk (especially when collapsed). It is the perfect solution for organisations that need to quickly convert paper documents into searchable PDF files to be shared, organised and protected.

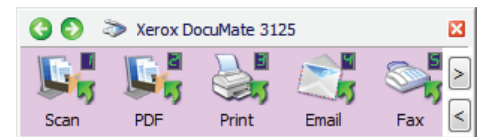
Versatile and Space-Saving



Advanced certified TWAIN™ and ISIS® drivers allow you to communicate with hundreds of Enterprise Content Management (ECM) and Document Image Management (DIM) software solutions making the Xerox® DocuMate™ 3125 perfect for any office environment.

Scanning at the Touch of a Button

The Xerox® DocuMate™ 3125 scanner allows users to scan to the destination of their choice by pressing a single button. This eliminates the multiple steps usually required to save scanned documents in popular file formats. Simply select one of 9 preset (completely user configurable) destinations and your documents will be scanned with the correct settings for resolution, colour, cropping and file format. The final image can be delivered virtually to any application, folder or device - all at the touch of a button.



9 Preset Destinations

Scan with Confidence

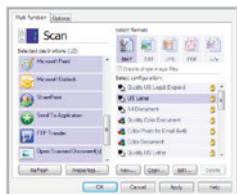
The built in ultrasonic scanner detects when more than one sheet is fed simultaneously. The DocuMate 3125 includes software that enables your scanner to instantly improve the visual clarity of every document that you scan. It intelligently adjusts every page after being scanned to a crisp and clean image. And it not only improves image quality for the human eye, but the computer's eye as well. Since optical character recognition (OCR) results are directly related to the clarity of scanned text, OCR accuracy is dramatically increased when you improve image quality.

Xerox® DocuMate™ 3125 Software Solutions

Visioneer®

OneTouch

OneTouch provides the most efficient ease-of-use scanning experience to improve your work flow. OneTouch enables the Xerox® DocuMate™ 3125 scanner to send your scanned documents to nearly any destination of your choice all at the touch of a button. The files can be automatically delivered to a specific folder, email, Microsoft Office Application, a local or network printer, a custom application or your cloud storage.



Acuity

With the use of advanced algorithms and dynamic thresholding, Acuity aims to improve the visual clarity of every document that you scan. This technology enables your scanner to instantly correct documents containing imperfections, it improves the overall quality of scanned images, increases OCR accuracy and most importantly saves your time.

DriverPLUS

DriverPLUS is a new generation of innovative driver technology for Xerox® DocuMate™ scanners that enables a superior experience for both users and system integrators. DriverPLUS is based on the most current TWAIN 2.2 specifications, and combines the features of advanced 32- and 64-bit native Windows-based TWAIN and WIA drivers.

Nuance®

OmniPage® Pro

OmniPage Pro provides a precise OCR and layout retention solution that quickly transforms scanned documents into editable and formatted text. The text can then be used in virtually any word processing, desktop or web publishing program.

PaperPort®

Millions of professionals rely on PaperPort to save time and money by efficiently converting paper into digital documents. PaperPort works with Xerox® scanners to turn paper documents into digital documents, it also helps you to manage them along with all other electronic documents in one convenient and easy-to-use filing system. PaperPort's large, clear item thumbnails allows you to visually organise, retrieve and use your scanner documents, including Word files, spreadsheets, PDF files and even digital photos.

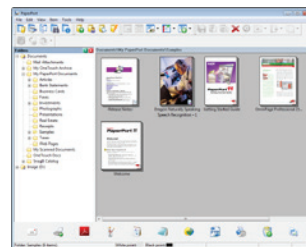


Image Enhancement



Original



Raw Scan



Acuity Enhanced Scan

Invert Image Options



Black and White scans the image binaral where everything on the page is either black or white. This setting is often used when scanning typed or written documents. When there are not a lot of graphics or if the graphics are not needed, this setting is ideal for archiving documents to a server or on a disc, emailing, or posting to a web page, as the file size is smaller than the other scanning modes.

Black and White scans the image binaral where everything on the page is either black or white. This setting is often used when scanning typed or written documents. When there are not a lot of graphics or if the graphics are not needed, this setting is ideal for archiving documents to a server or on a disc, emailing, or posting to a web page, as the file size is smaller than the other scanning modes.

The invert image option reverses the colour of each pixel in the scanned image. When scanning in black and white or colour, the image can be reversed to the opposite colour in the colour wheel to enable clearer and more legible outcomes.

Xerox® DocuMate™ 3125 Product Specifications

Type	DADF Colour Scanner
Scan Speed	25 ppm / 44 ipm: 200 & 300 dpi b&w, grayscale, colour
Scan Method	Duplex Automatic Document Feeder
Image Sensor	Contact Image Sensor (CIS)
Light Source	LED
Optical Resolution	600 dpi
Output Bit Depth	24-bit colour, 8-bit grayscale, 1-bit black & white
Interface	Hi-speed USB 2.0 (1.1 compatible)
Detection	Ultrasonic double feed detection
Dimensions (paper trays extended)	11.2"(w) x 10.25"(d) x 10.25"(h) (284 x 261 x 261 mm)
Dimensions (paper trays folded)	11.2"(w) x 6.7"(d) x 6.5"(h) (284 x 170 x 165 mm)
Weight	5.1 lb (2.3 kg)
DADF Minimum Document Size	2.9" x 2" (74 x 51 mm)
DADF Maximum Document Size	8.5" x 38" (216 x 965 mm)
Card Scanning	Up to 0.8mm thickness (non-embossed)
DADF Capacity	50 pages (20 lb., 75-80 g/m ² paper)
Document Thickness (min-max)	13 to 32 lbs. (49 – 120 g/m ²)
Duty Cycle	3,000 pages/day



For more information or detailed product specification, please call or visit us at
 14a Rodborough Road Frenchs Forest NSW 2086
 Australia 1300 793 769 | New Zealand 0800 993 769
www.fujixeroxprinters.com.au | www.fujixeroxprinters.co.nz

©2013 Xerox Corporation and Fuji Xerox Asia Pacific Pte Ltd. All rights reserved. Xerox®, Fuji Xerox Asia Pacific Pte Ltd, Xerox and Design® and DocuMate™ are trademarks of Xerox Corporation in the United States and/or other countries. Visioneer® and Visioneer OneTouch® are trademarks of Visioneer, Inc. Nuance®, PaperPort®, and OmniPage® are trademarks of Nuance Communications, Inc. or its affiliates in the United States and/or other countries. Microsoft®, Office®, Windows Vista®, Windows®, the Windows logo and XP® are trademarks of Microsoft Corporation in the United States and/or other countries. Intel® and Pentium® are trademarks of Intel Corporation in the U.S. and/or other countries. EMC® and ISIS® are trademarks of EMC Corporation. Universal Serial Bus is a trademark of USB Implementers Forum, Inc. (USB-IF). TWAIN™ is a trademark of TWAIN Working Group. All other trademarks are the property of their respective owners and are hereby acknowledged. Prices, features, specifications, capabilities, appearance and availability of Xerox products and services are subject to change without notice. MARS5008

PDF Converter

Nuance PDF Converter is the smarter PDF software choice for businesses. It combines superior Microsoft Office Support, powerful functionality, built-in intelligence, DMS integration and intuitive ease of use. Nuance PDF converter provides everything you need in order to create, convert, edit, assemble and securely share PDF files.

PC Minimum System Requirements

- Intel® Pentium® 4 or equivalent processor
- Windows 8 / 7 / Vista® / XP®
- 2GB RAM
- 350 MB available hard disk space
- DVD-ROM drive
- USB port

Software

- Nuance OmniPage Pro
- Nuance PaperPort
- Nuance PDF Converter
- Visioneer® OneTouch®
- Visioneer Acuity
- Scanner Drivers: TWAIN, EMC® Captiva® ISIS® and Microsoft Windows® Image Acquisition (WIA) Driver, Visioneer DriverPLUS